

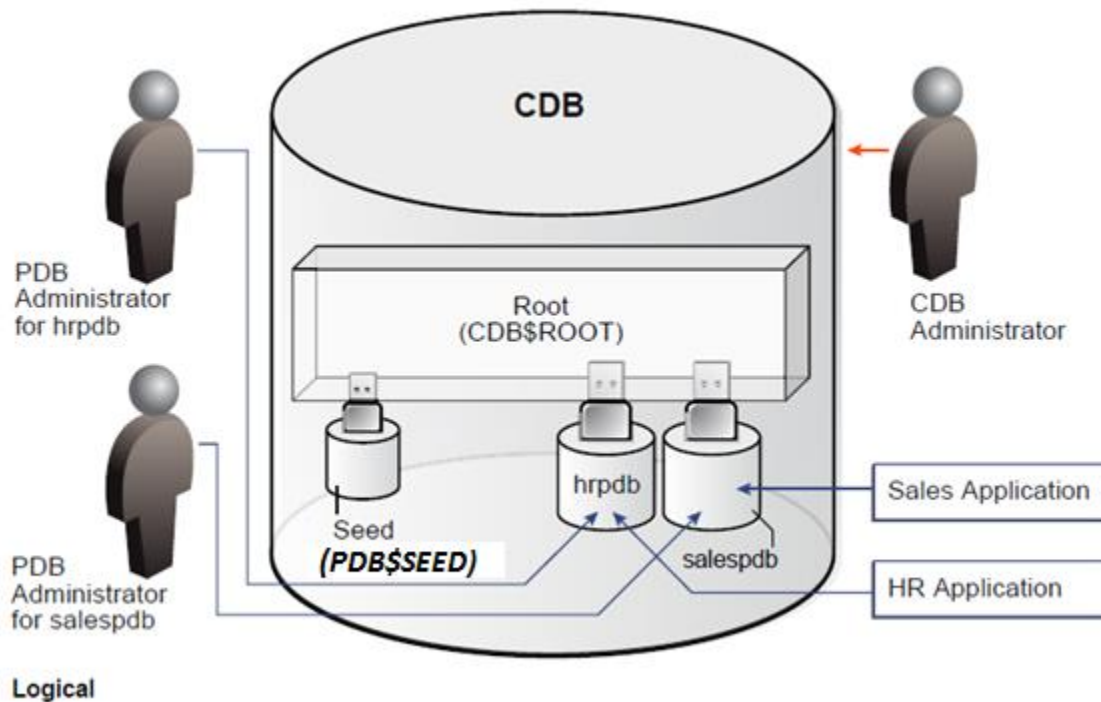
# Container and Pluggable databases - Part1

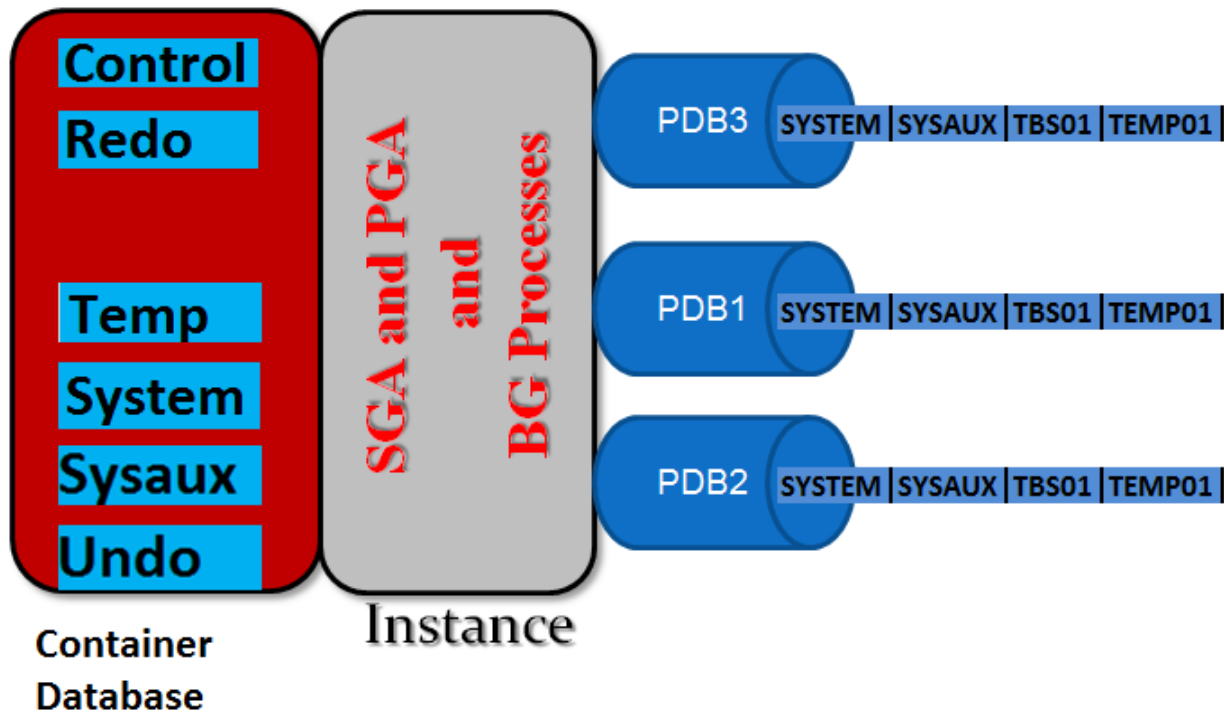
## Understanding in simple words

CDB is a normal database with additional capability of storing one or more non CDB. These non CDB's within CDB are called PDB.PDB's can be plugged and unplugged easily from one container to another container. In previous example we have two PDBs hrpdb and salespdb

\*\*\*CDB Container database

\*\*\*PDB pluggable database





This is another representation of container databases. The left most block represent physical part of container databases. It has control file, Redo log file and undo tablespace file, these three files are shared across CDB and individual PDBs do not have these files. System, Sysaux and temp files are CDB specific but individual PDBs will have their own System, Sysaux and temp files. System, Sysaux and temp files within CDB hold superset information.

Middle part instance is shared among all PDBs and root container.

Right side shows PDBs with their individual files.

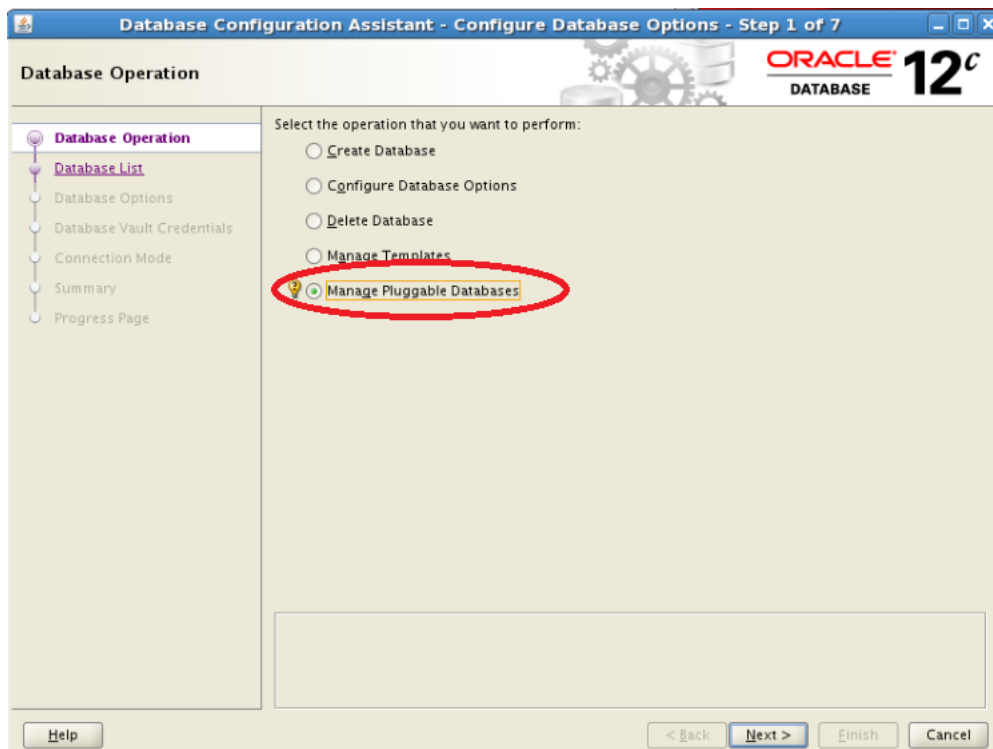
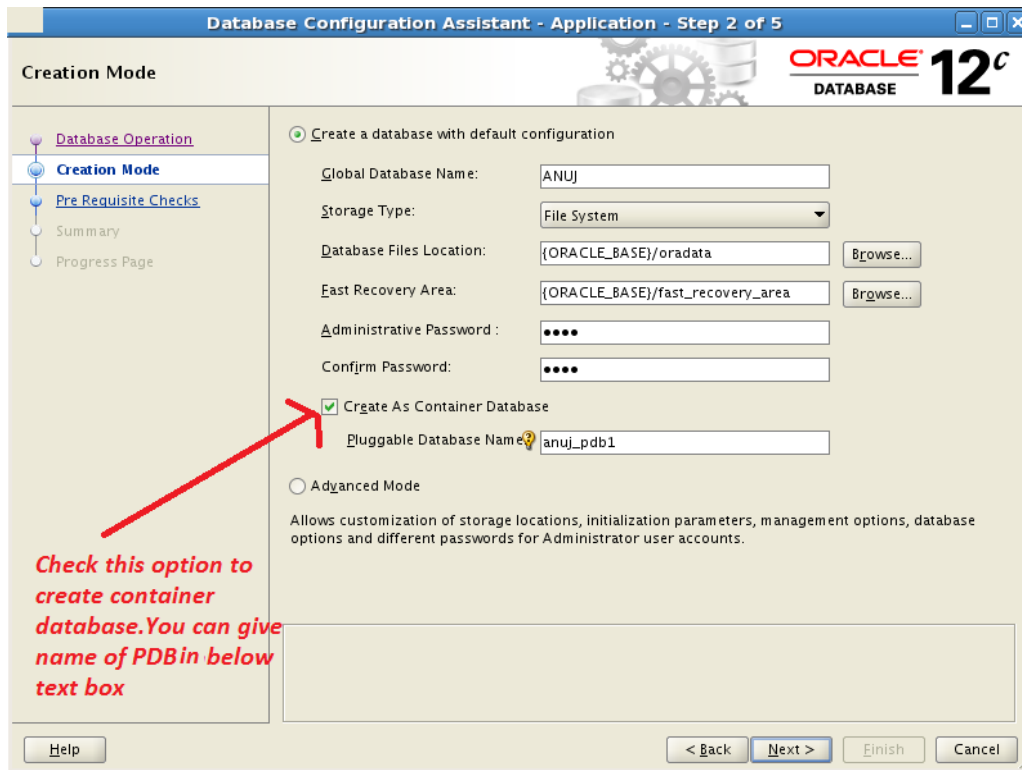
Shared components in container database

- Background processes –
- Memory areas – buffer cache, log buffer, etc.
- Datafiles (Undo / Redo /system /
- Undo tablespace
- Single ADR location
- PDB's may have their own datafiles

Common VS Local Concept in container database.Can be defined on CDB or PDB Level

Users	→Defined on root or local PDB
Roles	→Defined on root or local PDB
Privileges	→Defined on root or local PDB
Objects	→Defined on root or local PDB

Below DBCA options can be used to create or alter pluggable databases.



Database Configuration Assistant - Manage Pluggable Databases - Step 2 of 7

Manage Pluggable Databases

ORACLE DATABASE 12<sup>c</sup>

Select an operation that you want to perform in container database:

- Create a Pluggable Database
- Unplug a Pluggable Database
- Delete a Pluggable Database
- Configure a Pluggable Database

Database Operation

Manage Pluggable Databases

Database List

Create Pluggable Database

Pluggable Database Options

Summary

Progress Page

Help

< Back Next > Finish Cancel